



Prepared for Systems Group
E-14, Commerce Centre,
5th Floor, Tardeo
Mumbai 400 034, INDIA
+91 22 2351 5444

Prepared by
Sameer Mehta
Iota Square
+91 98338 71205

*i*² Knowledge Services

Wheel Chairs in India: *'Abling'* the Disabled!

.



Empower over 6 million Indians





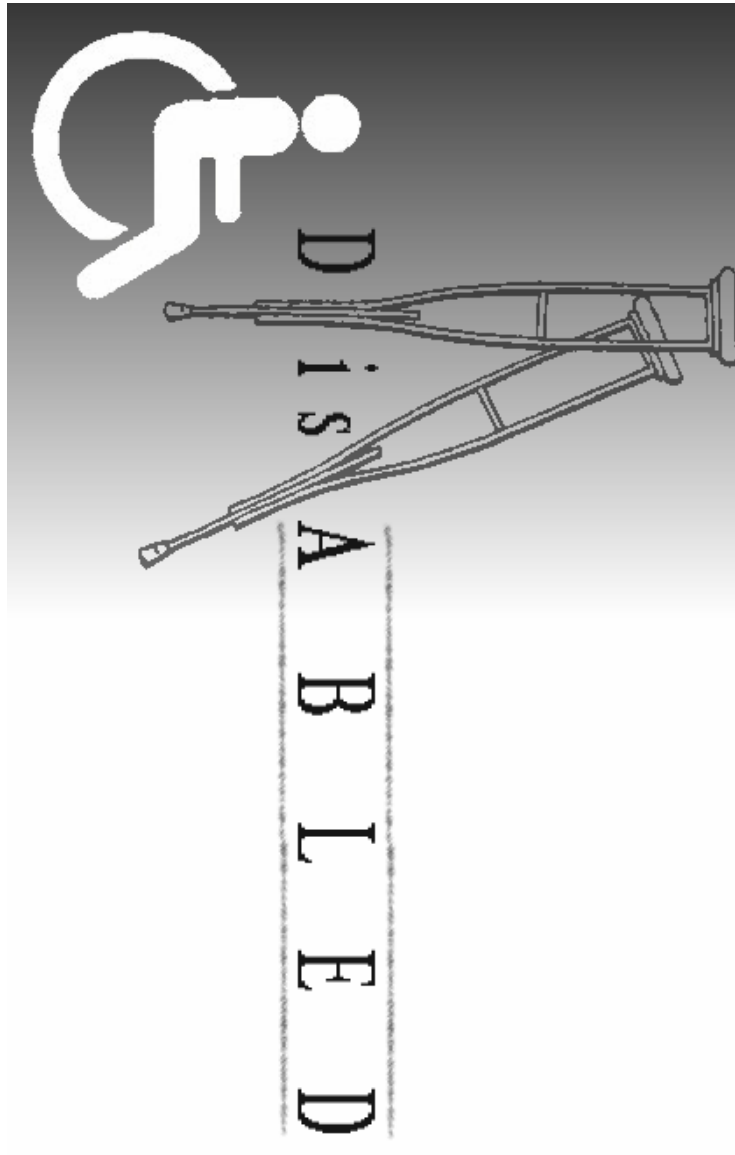
INDEX

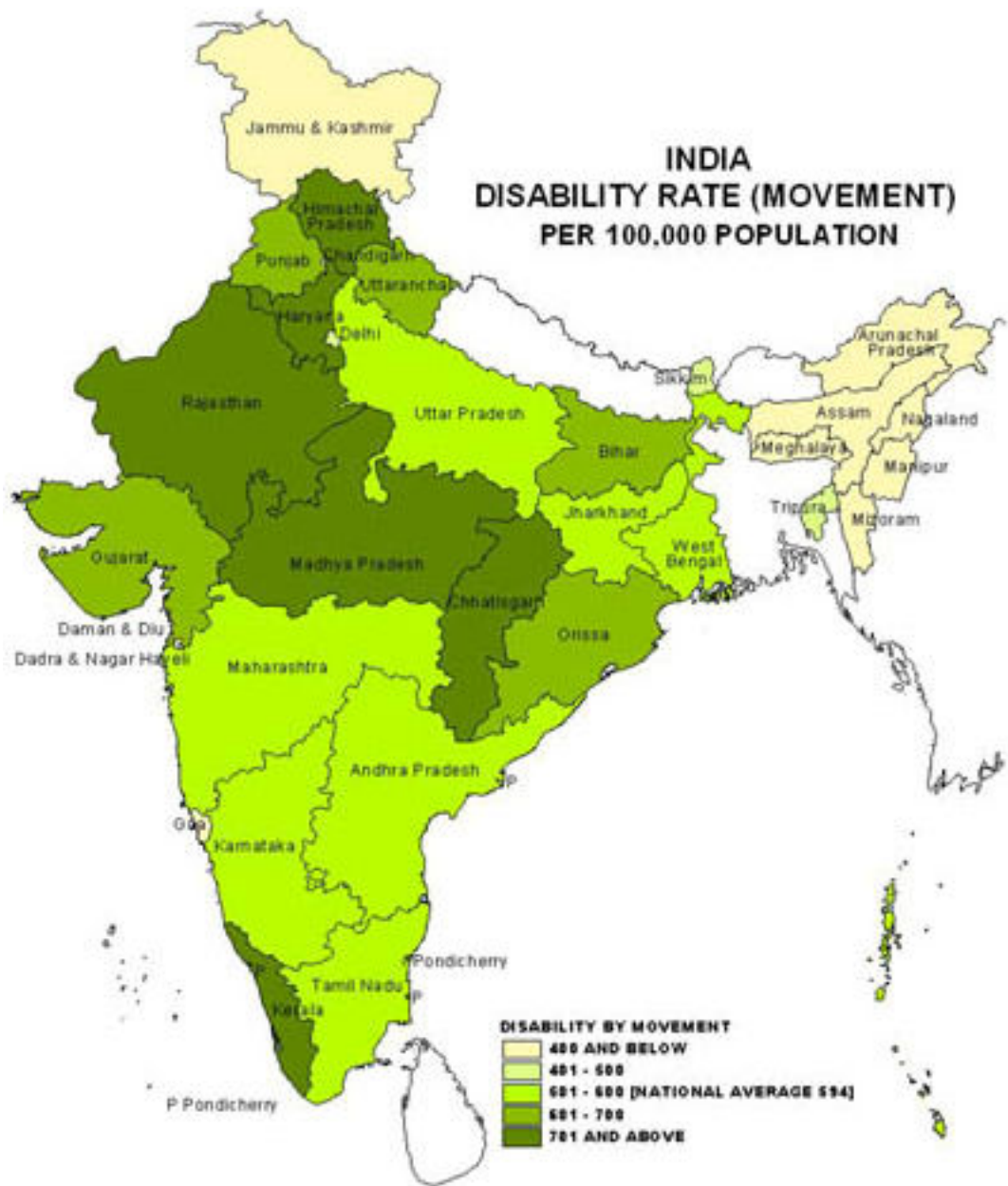
Graphics.....	4
Disabled in India	6
Foundations serving the cause of Paraplegia.....	8
Reaching out to the ultimate user: Enabler’s Perspective	10
Reaching out to the Enabler: User’s Perspective.....	16
Wheel Chair: Product Detailing and Specifications	18
Availability of Wheelchairs in the Market.....	24
Importing Wheel Chairs into India	26
Customization / Warranty and After Sales Service.....	28
ANNEX I: 2001 Census.....	30
ANNEX II: ALIMCO.....	32
ANNEX III: Local Manufacturers of Wheelchairs in India.....	34
ANNEX IV: List of NGOs in Mumbai.....	38
ANNEX V: Sample Quote for Import Pricing (Mumbai)	58
ANNEX VI: Customs Data.....	60



The purple web of tangling strings represents the complexity in the life of disabled people in India because of the lack of access to support mechanisms and utilities to make them independent. The foreground is depicted by a simplistic figurative depiction of a man in a wheel chair which is where we can get to with the project's success.

Graphics





Census of India, 2001

*Less than one percent of children with disabilities are getting education
Seven million employable disabled people in this country waiting for jobs*

Disabled in India

According to Census data released by the Registrar-General of India, There are 21.9 million disabled people in the country. This is about 2.13 per cent of the total population. Of this 1.03 per cent is visually impaired, 0.16 per cent speech impaired, 0.12 per cent 'hearing' impaired, 0.59 per cent 'movement' impaired and 0.22 per cent 'mentally' disabled.

The 2001 Census figures show that the highest percentage (48.5) of disabled is in the visual impairment category followed by the disability in 'movement' (27.9 percent). The lowest percentage (5.8) has been reported for hearing disability. And a big percentage of the movement restricted people are paraplegics.

Paraplegia is a condition in which the lower part of a person's body is paralyzed and cannot willfully function. It is usually the result of spinal cord injury or a congenital condition

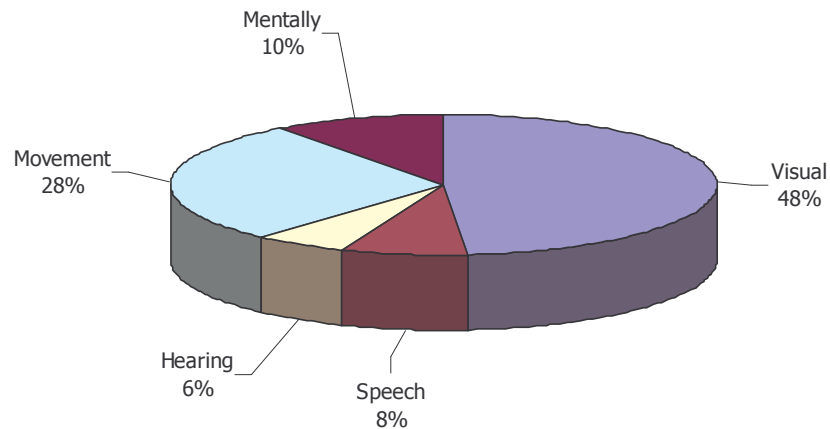


Exhibit 1: Categories of People with Disabilities in India

The total number of people in India with movement disabilities is ~6.1 million, interestingly a higher percentage of disabled women are in the visually impaired and hearing impaired categories. In the case of males however a higher percentage has been reported in the 'movement' and 'mental' categories

The Census also indicates the geographical distribution of the disabled state-wise across India. Details of the Census are in ANNEX I. Regions where the population of disabled people is larger than the average include the states of Kerala, MP, HP, Haryana Rajasthan and Chattisgarh.

Foundations serving the cause of Paraplegia

The cause is being served by government agencies and private NGOs.

From the government perspective, the mother body of all the channels is the **Ministry of Social Justice and Empowerment**.

Some of the major Government Agencies are:

- Indian Institute of Physically Handicapped (IPH), New Delhi (1976)
- National Institute of Orthopaedically Handicapped (NIOH), Kolkata (1978)
- National Institute of Rehabilitation Training and Research (NIRTAR), Cuttack (1984)

These institutes are autonomous bodies, which are fully funded by the Ministry of Social Justice and Empowerment. The thrust areas of the National Institutes are manpower development (to conduct degree and diploma level courses) for delivery of services to the disabled persons, direct assessment and rehabilitative services, distribution/fitment of aids and appliances, organizing of out-reach activities/camps and research activities and development in all aspects related to the rehabilitation of the PWD. They run clinical services which include diagnostic, therapeutic and remedial services.

Specifically for Paraplegia, The main government body is called **ALIMCO – Artificial Limbs Manufacturing Corporation of India**. ALIMCO has been setup with the aim of

- Make available Aids & Appliances needed by the persons with disability.
- Set up a network of Limb Fitting Centers and Dealers which would make the Aids & Appliances easily available to persons with disabilities.
- Develop training facilities for Prosthetic & Orthotic Technicians and Engineers.

Refer to ANNEX II for details on ALIMCO

Private bodies involved in manufacturing and providing aids to paraplegics fall mainly in the Small Scale Industry category. Each major cities has a few of these SSI companies which produce around 100-500 wheelchairs each feeding to the requirements of hospitals and large NGOs in their region. Some of these SSIs' in Mumbai are **VISSCO and RONAK** International. A niche where these players usually find space is the market for slightly higher end and custom wheelchairs. **SAGE India**, a company in Delhi manufacturing wheelchairs makes chairs according the individual requirement of the patient. They also sell to Airlines and Malls.

A list of many of these SSI producing and selling wheel chairs is attached in ANNEX III

National Handicapped Finance and Development Corporation (NHFDC)

NHFDC was incorporated on 24 January 1997 under Section 25 of the Companies Act, 1956 as a not for profit Government company with an authorized capital of Rs. 400 crore. It functions as an apex institution for channelising funds to persons with disabilities through the State channelising agencies (SCAs) nominated by the State Governments or through NGOs (under Micro Finance Scheme). The Government had contributed Rs. 52.30 crore as equity to this corporation till December 2001.

The objectives of NHFDC are to -

- Promote economic development activities and self-employment ventures for the benefit of persons with disability;
- Extend loans to persons with disability for up gradation of their entrepreneurial skill for proper and efficient management of self-employment ventures
- Extend loans to persons with disability for pursuing professional/technical education leading to vocational rehabilitation/self employment
- To assist self-employed individuals with disability in marketing their finished goods.

District Disability Rehabilitation Center Scheme (DDRC)

To decentralize rehabilitation services the Ministry launched (1999) the District Disability Rehabilitation Centre (DDRC) scheme under which DDRCs were to be established in 100 districts in the country. The major rehabilitation services that were to be provided through them included facilitation and provision of disability certificates, assessment of the need of assistive devices, provision/fitment/follow up/ repair of assistive devices, therapeutical services, promotion of barrier-free environment, prevention and early detection, vocational training and employment for PWD. *Each DDRC was to be staffed with seven specialists in addition to general staff. 132 DDRCs had been established through NIs, ALIMCO and DRCs till June 2003.*

Indian Spinal Injury Center (ISIC)

ISIC was registered as a society under the Societies Registration Act of 1860 in 1983 to provide comprehensive management to the spinally injured and people with locomotor disabilities. This includes medical and surgical intervention, rehabilitation services, job centres, continuing education, research and community based rehabilitation. ISIC has a state of the art intensive care unit apart from 102 beds, three operation theatres with the latest medical equipment, ambulance services and a 24-hour emergency centre.

District Rehabilitation Center (DRC)

The District Rehabilitation Centre Scheme was launched in 1985 for providing a package of model comprehensive rehabilitation services such as prevention and early detection, medical intervention and surgical correction, fitment of artificial aids and appliances, therapeutic



services, vocational training and awareness generation etc. to the rural disabled. The scheme was operated in eleven districts, namely, Krishna, Bhiwani, Mysore, Bilaspur, Thane, Puri, Kota, Chengalpattu, Sitapur, Sultanpur and Kharagpur in the States of Andhra Pradesh, Haryana, Karnataka, Madhya Pradesh, Maharashtra, Orissa, Rajasthan, Tamil Nadu, Uttar Pradesh and West Bengal.

ALIMCO

Corporation was set up in 1972 by the Government of India under Section 25 of Companies Act, 1956, with an objective of benefiting the disabled persons of the country to the maximum extent possible. This was proposed to be done by manufacturing artificial limbs, components and rehabilitation aids and by promoting, encouraging and developing the availability, use, supply and distribution of artificial limbs, components and rehabilitation aids to the needy disabled of the country at reasonable cost. Profitability is not the motive of the operations of the Corporation and its main thrust is on providing better quality aids & appliances to a much larger number of disabled.

Reaching out to the Enabler: User's Perspective

Exhibit 3 shows how a disabled person will go about getting a wheel chair or most aids for that matter.

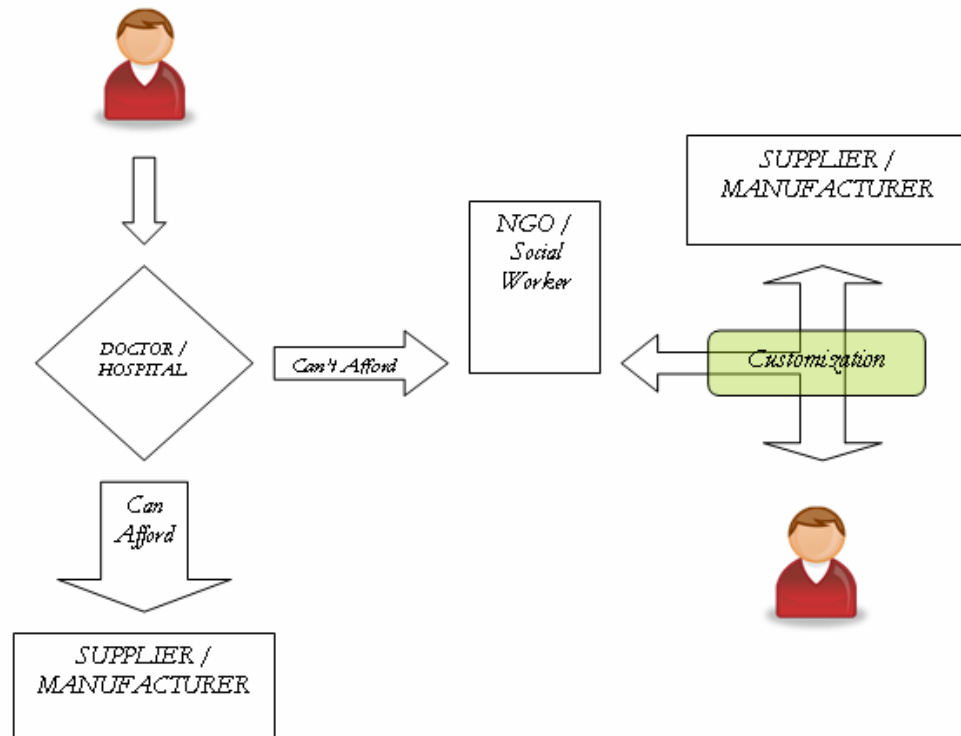


Exhibit 3: The user's perspective

The user may or may not be able to afford the cost of the aid which in this case is the wheel chair. If he does then he directly goes to the manufacturer / supplier and gets a custom built chair for himself. If not, he is generally recommended to a NGO or a government scheme running in the hospital where he as an indirect interface to the manufacturer.

From our visits to institutions where the wheel chair is actually handed out, we have learnt that final customization to make sure that the wheel chair is eventually utilized as a means of aid to the user is highly critical to the overall success of enabler's motive.

Having put the entire infrastructure in place, this last piece is critical to the acceptance of wheel chair by the user. This role can be played in an organized or un organized manner by having something as simple as a small unit with welding / basic mantling works ready.

Wheel Chair: Product Detailing and Specifications

A basic standard manual wheelchair incorporates a seat and back, two small front (caster) wheels and two large wheels, one on each side, and a foot rest.

Wheelchairs are often variations on this basic design, but there are many types of wheelchairs, and they are often highly customized for the individual user's needs.

The seat size (width and depth),

Seat-to-floor height,

Footrests/leg rests,

Front caster outriggers,

Adjustable backrests,

Controls,

And many other features can be customized on, or added to, many basic models, while some users, often those with specialized needs, may have wheelchairs custom-built.

Various optional accessories are available, such as anti-tip bars or wheels, safety belts, adjustable backrests, tilt and/or recline features, extra support for limbs or neck, mounts or carrying devices for crutches, walkers or oxygen tanks, drink holders, and clothing protectors.

However in the context of the current report, we will be focusing on the Manual Wheel Chairs only.

Manual wheelchairs are those that require human power to move them. There are three types of manual wheelchair: self-propelled, attendant-propelled, and wheelbase. Many manual wheelchairs can be folded for storage or placement into a vehicle, although modern wheelchairs are just as likely to be rigid framed.

Manual or self-propelled wheelchairs are propelled by the occupant, usually by using large rear wheels, from **20-26 inches in average diameter**, and resembling those of bicycle wheels. The user moves the chair by pushing on the hand rims, which are circular tubing on the outside of the large wheels. The hand rims have a diameter that is slightly less than that of the rear wheels. Skilled users can control speed and turning and often learn to balance the chair on its rear wheels - do a "wheelie".

The wheelie is not just for show - a rider that can control the chair in this manner can climb and descend curbs and move over small obstacles.

One-arm drive enables a user to guide and propel a wheelchair from one side. Two hand rims, one smaller than the other, are located on one side of the chair, left or right. On most models the outer, or smaller rim, is connected to the opposite wheel by a folding axle. When both hand rims are grasped together, the chair may be propelled forward or backward in a straight line. When either hand rim is moved independently, the chair will turn left or right in response



to the hand rim used. Another alternative is a lever-drive chair that propels the chair forwards by using a lever that is pumped back and forth. Some chairs are also configured to allow the occupant to propel using one or both feet instead of using the rims. Many of these variants were designed for medical reasons, but are also useful in wheelchair sports: e.g. the one-arm drive enables a wheelchair user to dribble a basketball while moving forward.

Attendant-propelled chairs are designed to be propelled by an attendant using the handles, and thus the back wheels are rimless and often smaller. These chairs are often used as 'transfer chairs' to move a patient when a better alternative is unavailable, possibly within a hospital, as a temporary option, or in areas where a user's standard chair is unavailable. These chairs are commonly seen in airports. Special airplane transfer chairs are available on most airlines, designed to fit narrow airplane aisles and transfer a wheelchair-using passenger to and from their seat on the plane.

Wheelbase chairs are wheeled platforms with specially-molded seating systems interfaced with them for users with a more complicated posture. A molded seating system involves taking a cast of a person's best achievable seated position and the either carving the shape from memory foam or forming a plastic mesh around it. This seat is then covered, framed, and attached to a wheelbase.

Light weight and high cost are related in the manual wheelchairs market. At the low-cost end, heavy, tubular steel chairs with sling seats and little adaptability dominate. Users may be temporarily disabled, or using such a chair as a loaner, or simply unable to afford better. Heavy unmodified manual chairs are common as "loaners" at large facilities such as airports, amusement parks and shopping centers. In a higher price range, and more commonly used by persons with long-term disabilities, are major manufacturer lightweight chairs with more options. The high end of the market contains ultra-light models, fancy seating options and accessories, all-terrain features, and so forth.



Exhibit 4 shows a standard manual wheelchair



Some Important factors that should be considered are as follows:

1. Fiber Molded Mag – Wheels
 - Important to ensure Ruggedness especially for Indian Conditions – Spokes tend to break.
 - Minimum 8 inch and 24 inch wheels (Front and Back)
2. Fiber Molded Fork for small wheels
3. Bearings (12 nos per chair)
4. Detachable / Adjustable Leg Rest
5. Polyurethane molded Arm Rest
6. Safety Belt
7. Padded Back and Seat and Room for more padding for adjustment of height and cumfort
8. Lifter Rods
 - Important to overcome the lack of ramps in India in most places
9. Fiber Molded Paddle
10. Heavy Gauge of Steel used
11. After Sales Service and Customization Service
12. Epoxy Powder / Chrome Plated
 - Chrome Plated Version is generally preferred

Availability of Wheelchairs in the Market

Wheelchairs currently being used in India are as of today mostly manufactured locally by agencies like ALIMCO in the Government Channel and smaller Industries at the local level privately (VISSCO in Mumbai / SAGE in Delhi etc)

	Qty. in Nos. in Year 2005-06
Tricycles	81,794
Wheel Chairs	34,754

Off late (last few years) since the import duty on these items has been abolished* there has been an influx of cheaper Chinese made wheelchairs mainly in the retail open channel, These come at an average selling price of INR 3,000 (INR 2,800 – INR 3,500). However lack of the ability to customize and at times poor after sales support plague this sector.

In the period of April, 2006 to December, 2006 – a total of 7,810 wheel chairs were imported into India. (Detailed Custom Data in ANNEX VI)

Import Duty on wheelchairs has been reduced to NIL according to the NTF NO. 66/2004 dated 09/07/2004

VAT is also inapplicable for selling wheelchairs in India as of now

Importing Wheel Chairs into India

Wheelchairs are classified under Chapter 87 and 90 of the Indian Customs categories. Most imports happen with an ITC (HS) Code # 87139010.

These items used to fall under a standard duty rate of 12.5% but as per Notification # 66/2004 dated 9/7/2004 this has been reduced to zero.

Notification #66/2004 dated 9/7/2004

S.No	Chapter or Heading or sub - heading	Description of goods	Standard rate	Additional duty rate	Condition No.
432	90 or any other Chapter.	(A) The following goods for physically disabled persons, namely:	Nil	-	-
		(i) Crutches;			
		(ii) Wheel chairs			
		(iii) Walking frames;			
		(iv) Tricycles;			
		(v) Brailleurs;			
		(vi) Artificial limbs			
		(B) Parts of goods at (A) above	Nil	-	-

Import Logistics

Wheelchairs usually come in Containers with the following details:

- Average NW – 19-20 KGs
- GW – 21-22 KGs in cardboard cartons
- 20' container FCL will hold approximately 144 chairs (cartons) and
- 40' Container FCL will hold approx 300 chairs

A quote for a Chinese vendor (Pricing is CIF Mumbai) is attached for reference (ANNEX V).



Customization / Warranty and After Sales Service

One major area of importance is the warranty and after sales service that dictates proper use of the aid and thus the overall goal.

Customization is the key to usability of the wheel chair by the patients. Doctors / Rehab centers will always suggest customization to be done to the chair as per the requirements of the ailment. There MUST be an agency preferably working with the NGO / sponsor which will work to ensure that the user can use the wheelchair in the best and most efficient way possible. Some customizations commonly asked for are inclination of the leg rest, adjustment of seat dimensions by inserting foam pads, headrest and arm rest adjustments, commode etc.

Possible partners for this have been identified in Mumbai

- FPH in South Mumbai and
- Welding shop (to be listed) near Sion Hospital

This same center can function as a repair / service center for these wheel chairs utilizing the cannibalized swap stock as spare parts

Some points to take care of if one decides to import wheelchairs:

- Check for fast wearing parts and check with supplier for requisite SWAP / replacement
- One must order SWAP units with the order (expect a 2-5% FOC SWAP at least)

•
•
•
•
•
•
•

ANNEX I: 2001 Census

ANNEX II: ALIMCO

ALIMCO

Artificial Limbs Manufacturing Corporation of India

www.artlimbs.com

+91 0512 2770172 / 2770897

G.T. Road, Kanpur – 208016

	<i>MoU Target</i>	<i>Achievement</i>	
	2005-2006	2005-2006	2004-2005
Financial Performance :	(Rs. in lacs)	(Rs. in lacs)	(Rs. in lacs)
i) Overall Turnover	5200	6062.96	4920.16
ii) Value of Production	4300	4475	4045.22
iii) Value of Sales	4600	5332.99	4390.1
iv) Surplus	675	487.19	341
	<i>MoU Target</i>	<i>Achievement</i>	
Physical Performance : Physical Performance of Important Products	Qty. in Nos.	Qty. in Nos.	Qty. in Nos.
i) Tricycles	60,000	81,794	66,849
ii) Wheel Chairs	25,000	34,754	22,388
iii) Crutches	70,000	60,719	46,915
iv) Prosthetic Upper	12,000	16,800	14,344
v) Prosthetic Lower	13,700	7,517	8,212
vi) Orthotic Lower	5,67,000	5,17,700	3,41,489
vii) Hearing Aids	42,000	37,111	14,900
viii) Total No. of Aids/Appliances and their components	10,80,000	17,78,118	13,36,625

Buyer Category	Sales (Rs. in crores)
National Institutes	10.05
ADIP Camps of ALIMCO	22.69
State Governments	10.81
Dealers and Others	9.69
Exports	0.08
TOTAL	53.32

ANNEX III: Local Manufacturers of Wheelchairs in India

	Name & Address	Contact Nos.
1	Bombay Surgicals	23821726
	104, Raja Rammohan Roy Road,	23859140
	Fazillah House, Gr.Floor, Opp. Harkisandas Hospital	23810138
	Prarthana Samaj, Mumbai 400 002.	Mr. Murtuza Gandhi
	Email: bombaysurgical@hotmail.com	
2	Fellowship of the Physically Handicapped	24938476
	Next to Mahalaxmi Race Course,	249384
	Mahalaxmi, Mumbai 400 034. (Mon – Sat) 9 – 5	
3	Hitra Equipments	23728503
	Khambata Lane,	
	Opposite Victoria Gardens Post Office,	
	Byculla, Mumbai 400 027. (Wed closed)	
4	Hospital Equipment & Engineering Company	26490960
	Gaurav, 12, Chpel Lane,	Mr. Sachin Patel
	Santacruz (West), Mumbai 400054.	Cell: 9820180019
	Email: sachina@hotmail.com	
5	Janak Manufacturing Works	24120171
	(Metal Beds India)	24130407
	Janak House, Sheikh Mistry Road,	Mr. Muthu
	Antop Hill, Wadala (East)	M:9892439876
	Mumbai 400037.	
6	Otto Bock Healthcare India Pvt. Ltd.	25201268
	Behind Fairlawn Housing Society,	Fax:25201267
	Sion – Trombay Road,	Ms. Roshan Lobo
	Chembur, Mumbai 400071.	M:9324723880
	Centre: Bombay, Delhi, Comibatore & Bangalore	
7	National Job Development Centre	25578968
	Spastics Society of India	25519413
	Sion – Trombay Road,	
	Chembur, Mumbai 400071.	
8	Kosmo Chem Pvt. Ltd. (Chinese)	256545477 extn.:110
	Maskati House, 76, Mohammedali Road,	23447833 extn.:119
	Next to Bombay Mercantile Bank	Cell: 9820078950
	Mumbai 400003. (Head Office)	9820578870
	Email: kosmochem@vsnl.com	Mrs. Fatima – Mgr
	Website: kosmochem.com	Sales – Batul

•
•
•
•
•
•
•
•

9	Visco Rehabilitation Aids Pvt. Ltd.	22852728
	517, Tulsiani Chambers,	22840682
	Free Press Journal Road,	Sameer Gandhi
	Nariman Point, Mumbai 400021.	
10	Walking Aids Manufacturing Company (WAMCO)	23081800
	305, Sardar V. P. Road, Kanji Mansion,	Cell: 982007547
	Near Alankar Cinema, Mumbai 400004.	

ANNEX IV: List of NGOs in Mumbai

ADAPT

Website: www.nrcissi.org/adapt/adapt.html

Notes: It is an action group that provides a common platform to highlight the problems faced by persons with disability, share personal experiences and provide practical solutions. Also believes that both disabled and non disabled can and should work together.

All India Institute of Physical Medicine and Rehabilitation (AIIPMR)

Haji Ali Park

Keshavrao khadye Marg

(Opp. Willingdon Sports Club)

Mahalaxmi

Mumbai 400034

Karmayogi: Ms. Jyothi, Officer

Tel: 24964331/32/40/41

Website: <http://aiipmr.gov.in>

Notes: Established in 1955, It is a government sponsored institute under Ministry of Health and Family Welfare which operates as a treatment, training, research centre in the field of rehabilitation of the physically handicapped. Provides medical rehabilitation, physiotherapy, electrotherapy, occupational therapy, in patients and out patient facilities include orthopaedic appliances, vocational training and guidance.

Also see: www.the-week.com/25apr24/currentevents_article10.htm

www.helpyourngo.com/comp_info.asp?h_CodeScrip=128%20-%2027k

Apang Maitree

2/21 Devendu Society

Mith Bandar Road

Thane (E) - 400603

Karmayogi: Mr. Chandrakant Kalvint, Secretary

Tel: 25328288

Notes: Residence and office.

Apang Maitree

Gala no. 9

Kavi Keshavsut flyover

(Near Darbar hotel)

Dadar (w)

Mumbai 400028

Karmayogi: Mr. Chandrakant Kalvint, Secretary

Tel: 24389156

Notes: Established 1977, by and for disabled, working for hearing, mentally, visually, multiple orthopaedically handicapped, covering medical, education, economic, resources sectors. Also holds camps.

Asha

Behind Austin Gracious Office

Kharodi

Marve Road

Malad (W)

Mumbai - 400095

Karmayogi: Mr. Diwan Shah

Tel: 28896562 / 28807562 / 28818406

email: ashaorgmumbai@hotmail.com

Profile: www.karmayog.com/ngos/asha.htm

Notes: Established in 2002. Aim is to install and develop self confidence among the disabled and to remove doubt in their own capabilities so that they can become self employed, self dependent, self respected, and live a normal life. Mr. Diwan Shah is 60% disabled.



Astitva Prahladrai Kagzi Institute For Handicapped

Plot No. 8, M.I.D.C. Phase 1

Kalyan Road

Dombivli (E)

Thane 421203

Karmayogi: Ms. Radika Gupta, Principal

Tel: 22471358

E-mail: contact@astitvaschool.com

Website: www.astitvaschool.com

Notes: Established in 1983, 73 students (47 boys and 26 girls) age 4 -18 yrs. Working for physical, mentally handicapped children and hearing impaired. Teaching and training through modern aids, rehabilitation.

Cheshire Home

Bethlehem House

Mahakali Road

(Opp. Canossa Convent)

Andheri (E)

Mumbai 400093

Karmayogi: Sr. Pushpa, Sister in Charge

Mr. Kirpalani, Secretary

Tel: 28324515

Notes: The home provides permanent shelter and care for poor or low income men permanent physical disability. It was started after World War II for the disabled Ex-Service men. capacity for 850 persons. Services include caring & rehabilitation.

Community Outreach Programme (CORP)

Methodist Centre

21 YMCA Road

Mumbai - 400008

Karmayogi : Ms. Rosamma George, Bishop Sampath Kumar

Tel: 23086789

Fax : 23073406

E-mail: corp_india@yahoo.co.in

Website: www.corpindia.org

Profile 2: www.karmayog.org/corp

Notes: Registered in 1977, CORP focuses on serving the poor and the underprivileged of urban and rural communities through integrated development programmes. It aims to stimulate self-reliance and self -development in these people through promotion of education, awareness, health and income generation programmes. It also organises various programmes for children. These programmes and services include creches, day care centres, pre-school and non-formal education and sponsorship programmes. CORP also runs a centre for the handicapped and caters to the educational and medical needs of the deaf and orthopaedically handicapped.

Fellowship of the Physically Handicapped (FPH)

F. P. H. Building

Lala Lajpatrai Marg

Haji Ali

Mumbai - 400034

Karmayogi: Ms. Sudha Pandit, Executive Secretary

Tel: 24938476, 24938490

Fax: 24963968

Email: fph@vsnl.net

Website: www.fphindia.org

Notes: FPH provides vocational training to 150 to 200 orthopaedically handicapped 18 - 40 years in tailoring, printing, carpentry, machine shop and computers. Also provides free mid day meals. Also make products for sales.



Friends Circle Charai

Chintamanis Communication Centre
Old Bombay Road
Opp. Dagadi School
Chari
Thane 400601

Karmayogi: Mr. Sanjay Gholap
Tel: 25366533

Category: Medical

Notes: Helps orthopaedic patients with medicines and equipments free of charge. Collects left over medicines and distributes among adivasies through the panel of doctors and nurses.

Handicap Welfare Association

G-1 saipooja Plot 52
Sector 14

Vashi

Navi Mumbai 400703

Karmayogi: Mr. Ravi Subbaiah, President - 9820043899

Email : hwaindia@hotmail.com

Tel: 27652981

Notes: Handicap Welfare Association is a Non profitable organisation for the disabled by the disabled. It is fully committed for the development, upliftment and welfare of all disabled people in and around Navi Mumbai, Panvel & Raigad. It focus in providing finances for disabled persons to start small business, providing employment, giving guidance and imparting knowledge about various schemes of the State & Central governments for the disabled & physically challenged persons. There are about 500 members in our association all from Navi Mumbai, Panvel & Raigad. Provide rehabilitation & development of all disabled , persons in Navi Mumbai.

Indian Society For The Rehabilitation Of Handicapped

Urveshi bldg. Flat no 602
off sayani rd.

prabhadevi

Mumbai 400025

Karmayogi: Dr. W.G. Ramarao

Dr. Tara Ramarao

Tel: 2430 6883

Email:drramarao1@rediffmail.com

Lok Seva Sangam

D/1 Evarard Nagar

Sion - Chembur Highway

Mumbai - 400022

Karmayogi: Ms. Carlo Torriani

Tel: 24070718

Email: loksevasangam@vsnl.net , services@lokseva.com

Website: www.lokseva.org

Marathi Mission Nagpada Neighbourhood House

Sophia Zuber Road

Nagpada

Byculla

Mumbai - 400008

Karmayogi: Ms. Mrinalini Sathe, Assistant Director

Tel: 23072571

Notes: Is a community welfare centre, provide health, education, social and economic welfare, recreational services and cultural activities. Also help the child in its total physical,



mental and social, intellectual development, empowers women and the family in becoming self sufficient and independent in life, makes them aware of their rights in society, for child welfare, development, disability, education, food and nutrition, health, intellectual property, minorities, poverty, sanitation, urban development, water, women's issues.

Mind's College of Education Research Society for the Care Treatment and Training of Children in Need of Social Care

Sewri Hills
Sewri Road
Mumbai-400033
Tel: 24704340
Fax: 24702285
E-mail: mind@bom3.vsnl.net.in

Mouth and Foot Painting Artists Association (MFPA)

Maker Bhavan No. 1 2nd Floor
1 New Marine Lines
Mumbai 400020
Karmayogi: Mr. Felix Wiesinger
Mr. Girish Kabra
Tel: 2262666/ 77 /88/ 99
Fax: 22616611
Email: mfpa@rediffmail.com , info@mfpaindia.com
Website: www.mfpaindia.com
Profile: www.karmayog.com/ngo/mfpa.htm

Notes: Contact artists who have lost the use of their hands through accident or illness and who paint with the brush held in the mouth or in the toes; or people who, having been born or become disabled, wish to learn to paint and support themselves through the sale of their work. Makes greetings cards, calendars and other artworks.

Mutually Beneficial Activities Foundation (MBA)

Gods' Heavens Bldg.
Crystal Palace Complex
Rambaug, Powai
Mumbai 400076
Karmayogi: Mr. C R Balasubramanian, Chairman
Tel: 28576972 / 9322838879
Fax: 28574456
Email: meenakshi@lifecare-disabled.org crbmanian@rediffmail.com
Website: www.lifecare-disabled.org
Profile: www.karmayog.com/ngos/mbaf.htm

Notes: Established in December 2001, provides life care for the disabled persons through employment. Activities like assessment, occupation, counselling for parents and beneficiaries, therapy - speech, physio, group, occupational, value adding, relaxation activities and care services; Day care & residential care - both personal & hygiene, for persons with different disabilities like cerebral palsy, muscular dystrophy, hyperactivity, dyslexia, multiple disabilities, visually impaired, mentally challenged.

Muscular Dystrophy Society

'Ratnakar' 2nd Floor, Block 5
Narayan Dabholkar Road
Malabar Hill
Mumbai 400006
Karmayogi: Dr. Khadilkar - Bombay Hospital
Dr. Anil Desai - Jaslok Hospital
Ms. Bharati Chhabria
Tel: 22090227, 22067676 Extn:359, 24933333, 23753875

•
•
•
•
•
•
•
•
•
•

Fax: 23642002

Email: nmc200@vsnl.net

Notes: Founded in 1973 to give cheer to the afflicted as there is no treatment available. the society has concentrated on improving their life style, increase their ability to stand and walk for more number of years. Muscular dystrophy is an inherited disease. It is characterized by progressive weakness of the muscles which control movement. There are a variety of dystrophies and the inheritance pattern varies with each type. Most of the dystrophies affect young children. the major forms of muscular dystrophy include myotonic, duchenne, becker, limb-girdle, facioscapulohumeral, congenital, oculopharyngeal, distal and emery-dreifuss.

National Organisation Of Disabled Artists

1/B-Ganesh Park

Bajiprabhu Deshpande Marg

Ambarnath (E)

Thane 421501

Karmayogi: Mr. Kishor L. Gohil, Secretary

Tel: 0251-2600962, 9323701981

Email: noda@rediffmail.com

Profile: www.karmayog.com/ngos/noda.htm

Notes: Established in 2000, Employment generation through live shows by disabled artists, Conducting entertainment programs for the exposure of disabled artists and promote as per their talent, provide medical assistance to needy, as well as their relatives also provide scholarship for learning in the field of arts.

National Society for Equal Opportunities for the Handicapped (NASEOH)

Postal Colony Road,

Chembur

Mumbai 400071

Karmayogi: Ms. Sudha Balachandra

Tel: 25220224

Fax : 25220225

E-mail : naseoh@bom7.vsnl.net.in

Website : www.naseoh.org

Profile: www.karmayog.com/ngos/naseoh.htm

Notes: Organisation works for all categories of disabilities, providing intervention programmes, integrated education, vocational education and training, placement, advocacy and social awareness, serve disabilities like amputee, cp/spastic, hearing impaired, leprosy, mentally handicapped, multiply handicapped, orthopedically impaired, visually impaired. services provided advocacy, aids & appliances community based rehabilitation, counseling services, early intervention, job placement, networking, outpatient diagnostic & awareness programs outreach programs in rural areas, parent support group, recreational activities, speech and physiotherapy, vocational training.

Navjeevan Apang Seva Trust

C/o. Mrs. Vidya Agashe

7 Anubhuti Sadan

71 Jai Prakash Nagar

Goregaon (E)

Mumbai 400063

Karmayogi: Trustee

Paraplegic Foundation

P. B. 6794

T-1 Old Barracks

Lokmanya Tilak Municipal General Hospital Compound, Sion

Mumbai 400022

Karmayogi: Ms. Sulabha Warde, President

Dr. P. M Kedia, Vice President



Tel: 24076381, 256257576

Notes: For physically, orthopaedically handicapped. Manages sheltered workshop at Sion hospital and provides job placement, accommodation, special aids, recreational programmes, scholarship schemes to paraplegics and their children. Training centre, sheltered workshop, product sales counters; half-way home, also centre at Airoli.

Phonix Trust for Rehabilitaion of Physically Handicapped

C/O Innerwheel Charity Clinic

Gurukrupa Bldg

Near Vishvasjeet Society

Savarkar Path

Thane 400602

Category: Various Disability

Pragati Pratishtan

Jeevan Chaya Ram Maruti Road

Naupada

Thane - 400602

Karmayogi : Mr. Vasant Patwardhan, Chairman

Tel: 25332169, 25331617

Notes: Rehabilitation of disabled; development of rural and tribal also training for self-employment, focuses on environment conservation through forestation and watershed development.

(Not interested to give detail)

Rehabilitation Centre for Paraplegics

C/o. Orthopaedic Section

J. J. Hospital

Main Building IInd Flr.

Byculla (W)

Mumbai 400008

Karmayogi: Mr. Gaikwad, Social Worker

Email: No

Category: Physically Challenged

Note: Uncooperative

Profile: www.karmayog.org/jjrehab

Seth Dhurmal Bajaj Orthopaedic Centre and Research Institute

1st floor

(Opp.Tata Memorial Hospital)

Parel

Mumbai 400012

Karmayogi: Trustee

Tel: 24140143

Society for the Education of the Crippled (Child & Adult)

Agripada Municipal School Bldg.

Motlibai Street

Agripada, Byculla

Mumbai 400011

Karmayogi: Ms. Roda Khambatta, President

Ms. Manju K Utamchandani, Sales & Public Relations Manager

Tel.: 23090887

Fax: 23074517

Email: sec@bom4.vsnl.net.in , sec.greeting@rediffmail.com

Website: www.sec-india.org

Category: Physically Challenged



Notes: Established 1965, free transport for the students, provide meals, swimming class, medical check-up camps. Having schools in santacruz (W) and sion.

Profile: www.karmayog.org/sec

S. E. C. Day School

Maneckji guzdar Muncipal school Bldg.

North Avenue

Santacruz (W)

Mumbai 400054

Karmayogi: Ms. Anjali Mutgal, Principal

Tel: 26462648

Notes: Working in the area of: Physically / Orthopaedically Handicapped, The school has educational programme upto Std.VII in Marathi and Hindi medium. It also provides with subsidised transport, rehabilitation services such as medical consultation, physiotherapy and occupational therapy, counselling services and nutritional programmes.

S. E. C. Day School

Sector no 3

Kane Nagar

Sion Koliwada

Antop Hill

Mumbai 400022

Karmayogi: Ms. Sureka chafe, Principal

Tel: 24014244, 24032517

S. E. C. Hospital School

Bai Jerbai Wadia Hospital

Acharya Donde Marg

Parel

Mumbai - 400012

Karmayogi: Principal

Tel: 24129786

Notes: Provides services for long stay patients.

Siya-tech

132 Maker Tower B

Cuffe Parade

Mumbai

Karmayogi: Mr. Ram Agarwal

Tel: 22181853

Fax : 22153291

E-mail : ke@vsnl.com

Web Site : www.brailleworldindia.com

Notes: Master distributors for India and neighbouring countries for QPointer Hands-Free software for complete access and operation of computers using voice commands by persons with upper limb disability or with ailments & unable to use their hands, fingers to work on computer keyboard or mouse, serve disabilities like multiple handicapped, orthopedically impaired, stroke Provides services for aids & appliances, vocational training.

S.N.D.T. Women's University

Deptt. of Special Education

Sir Vithaldas Vidyavihar

Juhu Road

Santacruz (W)

Mumbai 400049



**Society For Rehabilitation Of Crippled Children
Children Orthopaedic Hospital**

Clarke Road
Haji Ali Park
(Opp. Willingdon Sports Club)
Mumbai 400034
Karmayogi: Trustee
Tel: 24944032, 24920030, 24944226

Notes: Working for physically / orthopaedically handicapped; has a special hospital for treatment of children with orthopaedic conditions, and specialises in the management of polio, cerebral palsy and congenital deformities. It also runs a special school and classes for in and outdoor students in english and local languages.

Special Employment Exchange for the Physically Handicapped

Govt. Barrack No. 2
Fore Shore Road
Near Mantralaya
Nariman Point
Mumbai - 400021

Special Employment Exchange for the Physically Handicapped

Muzafarabad Hall
Proctor Road
Grant Road
Mumbai 400007

Special Employment Exchange for Physically Handicapped

Mercantile Chambers, 3rdFloor
Graham Road
Ballard Estate
Mumbai 400001
Karmayogi: The Special Employment Officer

Spastics Society of India- National Resource Centre for Inclusion

Bandra Reclamation
K.C. Marg
Bandra (W)
Mumbai 400050
Karmayogi: Ms. Sangeeta Jagtiani, Principal
Tel: 26443666 / 88 / 26430703 / 4
Email: drmithualur@nrcissi.org , mithualur@hotmail.com , nsd_iii@yahoo.com
Website: www.nrcissi.org

Notes: Established in 1985, makes products for sales, having informative publication, library of 7000 books, networks with organisations working towards rehabilitation, including the disabled, cancer and leprosy patients, women and substance abusers. Having a resource centre which is open to the public and an enquiry service which is accessible by letter or telephone, education therapy, advocacy, counselling, information management, research, training, rehabilitation/disability services, occupational therapy, physiotherapy, speech therapy, materials distribution, materials production, resource centre.

Spastics Society of India- National Resource Centre for Inclusion

Near Afghan Church
Upper Colaba Road
Colaba
Mumbai - 400005



Karmayogi: Ms. Manju Chatterji, Principal
Tel: 22186813, 22150555
Website: www.nrcissi.org
Notes: Established in 1972, total 85 students

Spastics Society of India-The National Job Development Centre

Chembur
Mumbai 400071
Karmayogi: Ms. Vandana Garware
Tel : 25209413, 25206815
Email: VandanaGarware@nrcissi.org
Website: www.nrcissi.org
Notes: Established in 1989, provides awareness campaigns, vocational training.

Spastics Society of India-The Sultan Noorani Memorial Kauna Sadan

Dharavi Centre
Mumbai
Karmayogi: Mr. Gulab Sayed
Tel: 2407454
Website: www.nrcissi.org
Notes: Established in 1985, over 450 children, provided with callipers, crutches, boots and other facilities.

St. Paul School

205 Dr Ambedkar Road
Dadar (E)
Mumbai 400014
Karmayogi: Principal
Tel:24168534

Swayamsidha

Manoranjan Vachanalaya
Dr. Bedekar Hospital
2nd flr. Maharshi Karve Rd.
Naupada
Thane 400602
Karmayogi: President
Fax: 25331617

The Parents

4 Madhu Niketan
21 West Avenue, Santa Cruz (W)
Mumbai
Karmayogi: Dr. H.T Dholakia, President
Tel: 26484361
Mobile: 9819964789
Notes: Provide guidelines to the needy, also provides care for mentally handicapped, orthopaedically impaired. Also gives lectures in relevant area.

Vijay Merchant Rehabilitation Centre for the Disabled

"Sunderdham' B' Wing Flat No.7 Gr. Flr.
Rambaugh Lane
Borivali (W)
Mumbai 400092
Karmayogi: Mr. Ramesh Prabhoo of Shiv Sena
Notes: Provides self employment such as running of telephone booths and fruit stalls and sales jobs. The disabled also work on tailoring orders. About 825 booths have been donated.



Vijay Merchant, Rehabilitation Centre for the disabled

'A' Wing Mhatre Pen Bldg. 3rd Floor

Senapati Bapat Marg

Dadar (W)

Mumbai 400028

Karmayogi: Mr. Ramesh Prabhoo of Shiv Sena

Notes: Provides self employment such as running of telephone booths and fruit stalls and sales jobs. The disabled also work on tailoring orders. About 825 booths have been donated.

Vocational Rehabilitation Centre for the Physically Handicapped

A. T. I Campus

V N. Purav Marg

Sion Trombay Rd.

Sion

Mumbai 400022

Tel: 25221707

Profile: www.karmayog.com/ngos/vrcph

Vissco Rehabilitation Aids Pvt. Ltd.

517 Tulsiani Chambers

Nariman Point

Mumbai-400021

Karmayogi: Mr. Samir Gandhi

Tel: 22049500 / 22840682 / 22852728

Fax: 22029610

E-mail: vissco@bom3.vsnl.net.in

Website: www.visscoindia.com

Notes: Making rehabilitation aids and hospital furniture.

•
•
•
•
•
•
•

ANNEX V: Sample Quote for Import Pricing (Mumbai)



ANNEX VI: Customs Data

Total of 7,718 wheel chairs were imported from April, 2006 to December, 2006 most of them coming from China. (Available on request)